

Norphonic VoIP panel phone assembly - Berg Handset

- **Excellent sound quality (STI = 0.99)**
- **Robust**

Assembling the Berg handset with a Holme base produces a panel phone which can be used in a wide array of applications. The only requirements are for the panel to be cut-out contour to be as the one shown in the picture below. Please refer to our manual for more assembly details.

The handset uses high quality microphone and speaker, designed and tested for rugged environments. The robust handset and armoured cord ensure excellent protection against harsh environments.



Technical Specifications

Weather resistance: Dust and waterproof to IP66 (Dependent on mounting)

Heavy duty performance: Impact-proof, able to perform in challenging environment

Operating temperatures: -25° C to + 65° C
Relative humidity high: 93% R.H at 40° C (non-condensing)

Casing material: Polycarbonate

Weight: 0.54kg (1.2kg in combination with Holme)

Handset: Robust handset with armoured stainless steel cord.

Hook-switch: Magnetic with no mechanical moving parts.

Microphone: Noise cancelling dynamic mic, proven in noisy areas.

Speaker: 500hm 1W

Excellent sound quality: STI tested to 0.99 (Excellent Sound)

Colour: Black handset with yellow front panel.

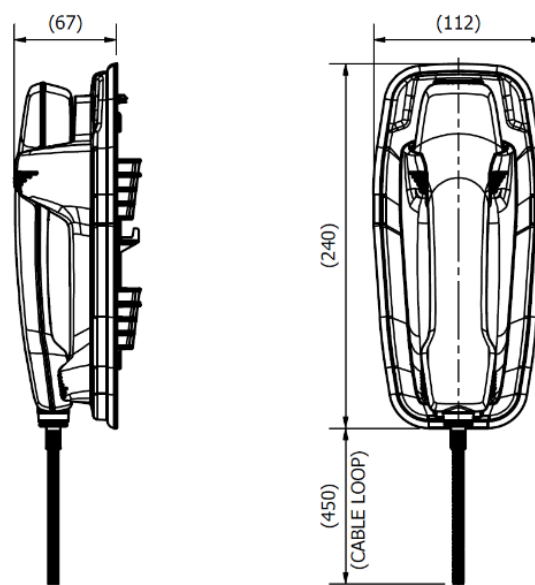
Weight: 1.20 kg approx. (0.65kg Holme only)

Power supply: 24V-48V DC input, or Power over Ethernet (PoE)

Power consumption: 3W nominal, 5W start-up

Connection: RJ11 plug for Handset
Microphone and Speaker, 2-pin terminal plug for hook. Earthing cable.

Dimensions



Approvals

EN 50121-4:2016A 1:2019 - Railway Applications

EN 55032:2015 AC:2016, EN 55035:2017 AC:2019 - Electromagnetic compatibility of multimedia equipment

EN 60529 - IP66 dust-tight and powerful water jets.

EN 62262:2002 – IK09 impact protection

Order Codes

Berg handset assembly with 0,8m handset cable (Web shop)	1110010
Berg handset assembly with 1m handset cable (Special orders)	1110012

Learn more about our Innovations at www.norphonic.com

Fjellsdalen 3, 5155 Bønes, Norway
+47 55 62 75 20
sales@norphonic.com

The manufacturer reserves the right to change designs or specifications without obligation and without further notice. "Norphonic" and all other trademarks used in this document are the trademarks of their respective owners. This document is owned by Norphonic and you agree not to copy, communicate to the public, adapt, distribute, transfer, sell, modify or publish any contents of this document without express prior written consent from the owner. Norphonic is a registered company. Registration number NO 991 016 791 (Norway). Document Number: BH20210318

